

lots 8, 10
Affects
check your lot location
to location

EASEMENT AND RIGHT OF WAY

THIS INDENTURE, made this 24 day of February, 197³, between Viking Investment Corporation, a corporation, hereinafter referred to as "Grantor", and Metropolitan Utilities District of Omaha, a municipal corporation, hereinafter referred to as "Grantee", WITNESSETH:

That Grantor, in consideration of the sum of One Dollar (\$1.00) and other valuable consideration, receipt of which is hereby acknowledged, does hereby grant to Metropolitan Utilities District of Omaha, its successors and assigns, an easement and right of way to lay, maintain, operate, repair, relay and remove, at any time, pipelines for the transportation of gas and water, and all appurtenances thereto, together with the right of ingress and egress to and from the same, on, over, under and through lands described as follows:

Several tracts of land lying in Lots Six (6), Eight (8) and Ten (10) in Georgetowne Addition as now platted and recorded, a subdivision in Douglas County, Nebraska, being more particularly described as follows:

A strip of land Ten feet (10') wide running along and parallel to the Easterly line of Lot Six (6), said strip being the Easterly Ten feet (10') of Lot 6;

A tract of land beginning at the Northwest corner of Lot Eight (8), Georgetowne Addition; thence South a distance of One Hundred Twenty feet (120'); thence South 90°00'00" West a distance of Eighty feet (80'), more or less; thence South 24°21'43" West a distance of Three Hundred Thirty-seven and Six-tenths (337.6) feet, more or less; thence East along the North right-of-way line of 141st Street an arc distance of Ten feet (10'); more or less; thence North 24°21'43" East a distance of Three Hundred Five feet (305'), more or less; thence North 90°00'00" East a distance of One Hundred feet (100'), more or less; thence North a distance of One Hundred Forty feet (140') to the South right-of-way line of Frances Street; thence North 90°00'00" West along the South right-of-way of Frances Street a distance of Twenty feet (20') to the point of beginning;

A strip of land Seven and Five-tenths feet (7.5') wide lying along and parallel to the Southwesterly line of Lot Ten (10), said strip running South-easterly from the Northwesterly line of Lot Ten (10) to a point Three Hundred Ninety feet (390'), more or less, Southeast thereof;

All of said tracts containing a total of Thirty One-hundredths (0.30) acres, more or less, all as shown on the plat attached hereto and made a part hereof.

TO HAVE AND TO HOLD said easement and right of way unto the said Grantee, Metropolitan Utilities District of Omaha, its successors and assigns.

1. Grantor, its successors or assigns agree that they will at no time erect, construct or place on or below the surface of said

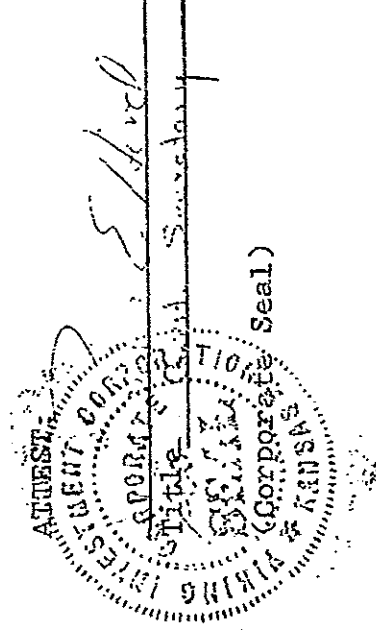
tracts of land any building or structure, except pavement, and that they will not give anyone else permission to do so.

2. Grantee shall restore the surface of the soil excavated for any purpose hereunder, as near as may be reasonably possible, to the original contour thereof and as soon after such work is performed as may be reasonably possible to do so.

3. Nothing herein contained shall be construed as a waiver of any rights of Grantor, or duties and powers of Grantee respecting the ownership, use, operations, extensions and connections to any gas main or water main constructed and maintained hereunder.

IN WITNESS WHEREOF, the Grantor has caused this easement to be signed on the day and year first above written.

VIKING INVESTMENT CORPORATION,
Grantor



By [Signature]
Title Asst. Secretary

STATE OF NEBRASKA)
) ss
COUNTY OF DOUGLAS)

On this 24 day of February, 1978, before me, the undersigned, a Notary Public duly commissioned and qualified for said county, personally came Mark O. Moore & James E. Hird, to me personally known to be the Vice-Pres. & Asst. Secretary of Viking Investment Corporation, a corporation, whose name is affixed to the foregoing instrument in that capacity and who acknowledged the same to be his voluntary act and deed and the voluntary act and deed of said corporation.

Witness my hand and Notarial Seal the day and year last above written.

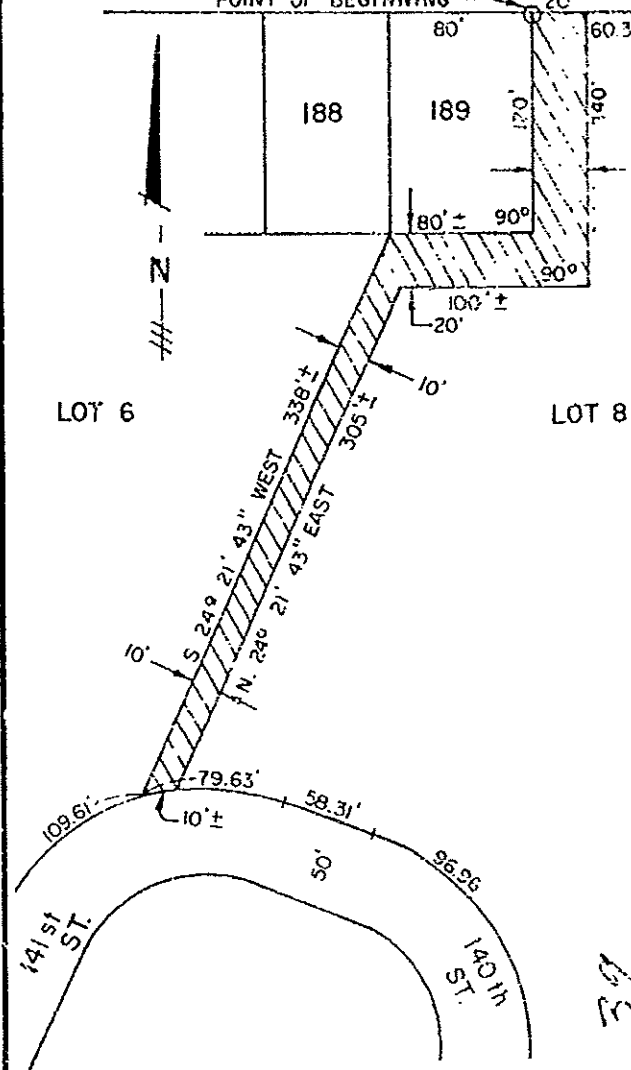
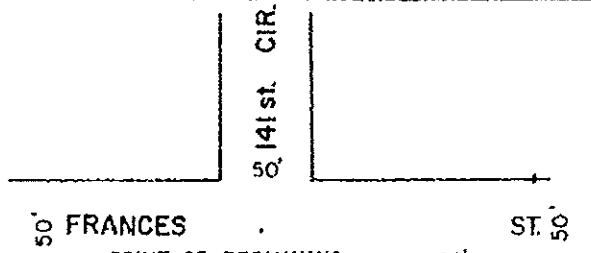
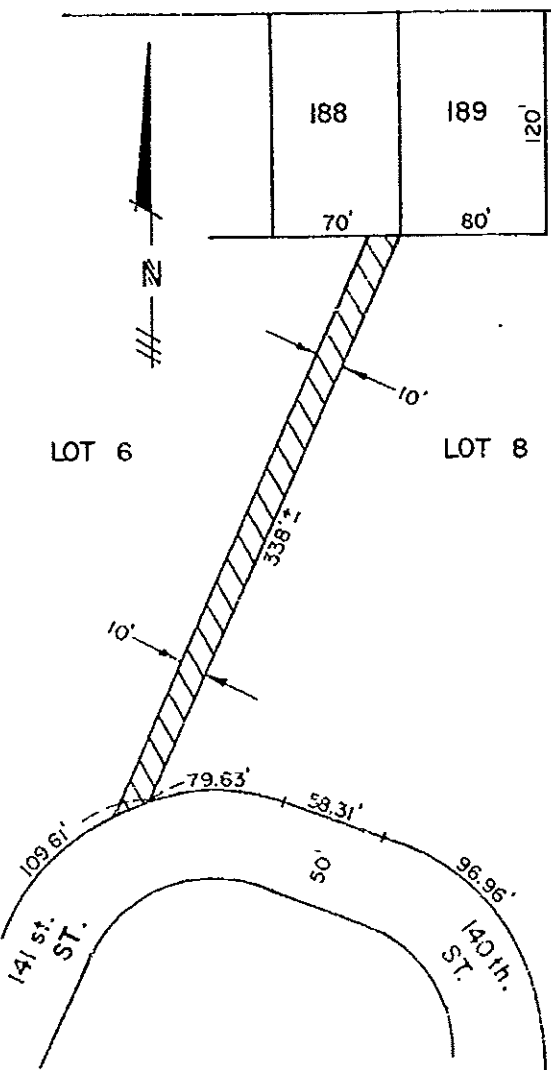
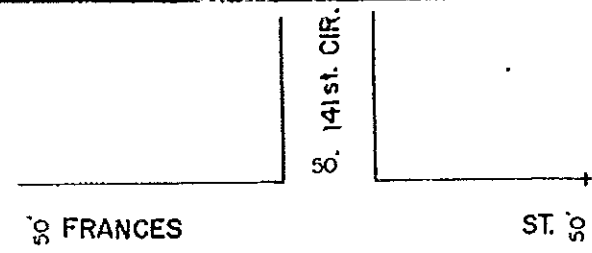
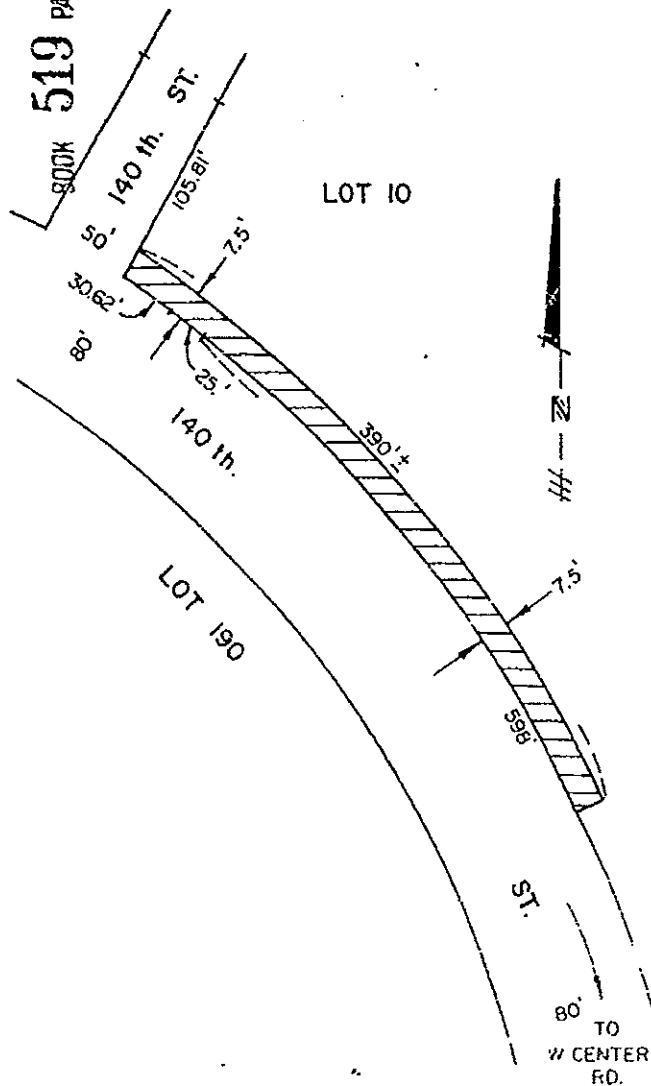
[Signature]
Notary Public
Susan Williams



My commission expires the 18 day of October, 19 75.

ALL LOTS SHOWN ARE IN GEORGETOWNE

BOOK 519 PAGE 355



METROPOLITAN UTILITIES DISTRICT
OMAHA, NEBRASKA

EASEMENT ACQUISITION
FOR W.C.-C. 4592

LAND OWNER VIKING INVESTMENT CORP.
P.O. 123
LAWRENCE, KAN.

ACRE PERMANENT 0.30

LEGEND
PERMANENT EASEMENT **EZ**

ENTERED IN NUMERICAL INDEX AND RECORDED IN THE REGISTER OF DEEDS OFFICE IN DOUGLAS COUNTY, NEBRASKA
 FILED BY **PL Wilcox** DATE **5-15-72**
 39

CHECKED BY _____ DATE _____
 APPROVED BY _____ DATE _____
 REVISED BY _____ DATE _____
 REV. CHG'D BY _____ DATE _____