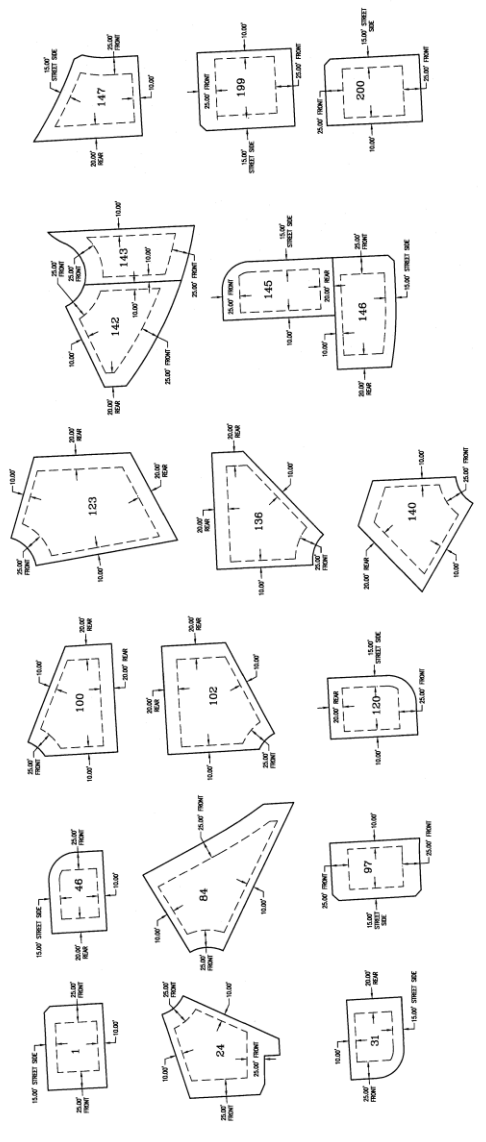


2017-26783 A

LOCATED IN: SEC. 32-14-12 SW 1/4 SE 1/4 SEC. 32-14-12

SOUTHERN POINTE

LOTS 1 THROUGH 202, INCLUSIVE AND OUTLOTS A THROUGH K, INCLUSIVE, BEING A PLATTING OF THE WEST HALF OF THE SOUTHEAST QUARTER OF SECTION 32, TOWNSHIP 14 NORTH, RANGE 12 EAST OF THE 6TH P.M., SARPY COUNTY, NEBRASKA EXCEPT THAT PART TAKEN FOR ROADWAY RIGHT OF WAY



NON-STANDARD LOT SETBACK REQUIREMENTS

OUTLOT LABEL (SF)	PURPOSE	OWNER
A 3842	DEDICATED DRAINAGE	50 UNIL ANNEKED/ HOMEOWNERS ASSOCIATION
B 29153	UTILITIES	50 UNIL ANNEKED/ HOMEOWNERS ASSOCIATION WITH EXISTING EASEMENT TO OPPO
C 172191	UTILITIES	50 UNIL ANNEKED/ HOMEOWNERS ASSOCIATION WITH EXISTING EASEMENT TO OPPO
D 5997	DEDICATED DRAINAGE	50 UNIL ANNEKED/ HOMEOWNERS ASSOCIATION
E 19125	UTILITIES	50 UNIL ANNEKED/ HOMEOWNERS ASSOCIATION WITH EXISTING EASEMENT TO OPPO
F 62944	UTILITIES	50 UNIL ANNEKED/ HOMEOWNERS ASSOCIATION WITH EXISTING EASEMENT TO OPPO
G 103371	WATER QUALITY BASIN	50 UNIL ANNEKED/ HOMEOWNERS ASSOCIATION
H 27839	WATER QUALITY BASIN	50 UNIL ANNEKED/ HOMEOWNERS ASSOCIATION
I 174973	WATER QUALITY BASIN	50 UNIL ANNEKED/ HOMEOWNERS ASSOCIATION
J 17125	WATER QUALITY BASIN	50 UNIL ANNEKED/ HOMEOWNERS ASSOCIATION
K 14812	WATER QUALITY BASIN	50 UNIL ANNEKED/ HOMEOWNERS ASSOCIATION

PANEL #	AREA (SF)	PANEL #	AREA (SF)	PANEL #	AREA (SF)	PANEL #	AREA (SF)	PANEL #	AREA (SF)
1	10171	51	8510	101	12789	151	9142	201	9748
2	10091	52	8510	102	10201	152	9142	202	8749
3	10217	53	8510	103	10217	153	9142		
4	10217	54	8510	104	10217	154	9142		
5	6832	55	8510	105	10202	155	9142		
6	6848	56	8510	106	10202	156	9142		
7	7989	57	8510	107	9643	157	9142		
8	9261	58	8510	108	9606	158	9142		
9	8300	59	8510	109	9598	159	9095		
10	8340	60	8122	110	9533	160	9538		
11	8380	61	8113	111	9792	161	9538		
12	8420	62	8510	112	9792	162	9538		
13	8460	63	8510	113	9625	163	9296		
14	8406	64	8510	114	9625	164	9296		
15	8731	65	8510	115	9673	165	9296		
16	8513	66	8510	116	9798	166	9296		
17	8499	67	8510	117	9750	167	9296		
18	8965	68	8510	118	9750	168	9296		
19	8533	69	8510	119	9750	169	9296		
20	8510	70	8510	120	9750	170	9296		
21	8778	71	8510	121	9691	171	9296		
22	8818	72	8510	122	10263	172	9793		
23	10255	73	8510	123	27162	173	10964		
24	10892	74	8510	124	18963	174	9097		
25	11917	75	8664	125	11592	175	9879		
26	15412	76	12718	126	10261	176	9271		
27	10394	77	11692	127	11423	177	9271		
28	10394	78	11692	128	11423	178	9271		
29	10332	79	8268	129	21292	179	9306		
30	10415	80	8612	130	10542	180	9343		
31	8667	81	9294	131	12466	181	9338		
32	8510	82	7844	132	10964	182	9329		
33	8510	83	16463	133	9750	183	9322		
34	8510	84	21749	134	9640	184	9318		
35	8510	85	24577	135	10261	185	9318		
36	8510	86	24577	136	10261	186	9318		
37	8510	87	24577	137	11463	187	10277		
38	8510	88	11322	138	11762	188	9616		
39	8510	89	13604	139	10639	189	9549		
40	8510	90	8994	140	16443	190	9443		
41	8510	91	7504	141	13277	191	9417		
42	8510	92	9171	142	15668	192	9602		
43	8510	93	11768	143	17927	193	9602		
44	8510	94	11768	144	17927	194	9602		
45	9049	95	3112	145	12942	195	9024		
46	8742	96	3110	146	13773	196	8668		
47	8510	97	10508	147	13862	197	8579		
48	8510	98	10054	148	8142	198	8425		
49	8510	99	10275	149	8142	199	10122		
50	8510	100	15491	150	9142	200	13031		

PANEL #	AREA (SF)	PANEL #	AREA (SF)	PANEL #	AREA (SF)	PANEL #	AREA (SF)
1	10171	51	8510	101	12789	151	9142
2	10091	52	8510	102	10201	152	9142
3	10217	53	8510	103	10217	153	9142
4	10217	54	8510	104	10217	154	9142
5	6832	55	8510	105	10202	155	9142
6	6848	56	8510	106	10202	156	9142
7	7989	57	8510	107	9643	157	9142
8	9261	58	8510	108	9606	158	9142
9	8300	59	8510	109	9598	159	9095
10	8340	60	8122	110	9533	160	9538
11	8380	61	8113	111	9792	161	9538
12	8420	62	8510	112	9792	162	9538
13	8460	63	8510	113	9625	163	9296
14	8406	64	8510	114	9625	164	9296
15	8731	65	8510	115	9673	165	9296
16	8513	66	8510	116	9798	166	9296
17	8499	67	8510	117	9750	167	9296
18	8965	68	8510	118	9750	168	9296
19	8533	69	8510	119	9750	169	9296
20	8510	70	8510	120	9750	170	9296
21	8778	71	8510	121	9691	171	9296
22	8818	72	8510	122	10263	172	9793
23	10255	73	8510	123	27162	173	10964
24	10892	74	8510	124	18963	174	9097
25	11917	75	8664	125	11592	175	9879
26	15412	76	12718	126	10261	176	9271
27	10394	77	11692	127	11423	177	9271
28	10394	78	11692	128	11423	178	9271
29	10332	79	8268	129	21292	179	9306
30	10415	80	8612	130	10542	180	9343
31	8667	81	9294	131	12466	181	9338
32	8510	82	7844	132	10964	182	9329
33	8510	83	16463	133	9750	183	9322
34	8510	84	21749	134	9640	184	9318
35	8510	85	24577	135	10261	185	9318
36	8510	86	24577	136	10261	186	9318
37	8510	87	24577	137	11463	187	10277
38	8510	88	11322	138	11762	188	9616
39	8510	89	13604	139	10639	189	9549
40	8510	90	8994	140	16443	190	9443
41	8510	91	7504	141	13277	191	9417
42	8510	92	9171	142	15668	192	9602
43	8510	93	11768	143	17927	193	9602
44	8510	94	11768	144	17927	194	9602
45	9049	95	3112	145	12942	195	9024
46	8742	96	3110	146	13773	196	8668
47	8510	97	10508	147	13862	197	8579
48	8510	98	10054	148	8142	198	8425
49	8510	99	10275	149	8142	199	10122
50	8510	100	15491	150	9142	200	13031

FINAL PLAT

2017-26783 A